



Residential KNOX-BOX® To The Rescue

Knox Residential 1650 Series



Protect residential property from forced entry damage during fire and medical emergencies. Safely secure your entrance key in a Residential KNOX-BOX®

Fire departments gain entry into the residential key box with the Knox® Master Key. It is a high security master key used only by your local fire department for emergency access. The Residential KNOX-BOX® is just one part of the department's Knox Rapid Entry System.

KNOX-BOX key boxes already protect businesses, schools and commercial properties against forced entry damage and delayed emergency response. Key

boxes, vaults, cabinets, key switches and padlocks provide complete and secure key control for your local fire department.

The Residential Knox-Box is available in a surface or recessed version for permanent mounting on a residence with either a lift-off door or a hinged door. A temporary door hanging version is available for those recuperating from a temporary illness or incapacity.

Residential Knox-Box® key boxes protect your family and your property during emergencies.



Emergency Medical Services

When you are injured or become critically ill, paramedics can respond quickly, without forcing entry, when a KNOX-BOX is installed by your front door. They simply remove the entrance key stored inside, provide medical assistance and re lock the door when they leave.



Fire/Security Alarm Response

If no one is home and an alarm activates, firefighters and other emergency responders must determine if it is a false alarm or an actual emergency. Without a KNOX-BOX, responders often must force entry to determine the answer.



Fire Sprinkler System Shut Off

Fire sprinkler protection in single-family homes, apartment complexes and condominiums is becoming more common. Extensive water damage can be prevented when firefighters can quickly access the home and determine the cause.

Knox® Residential 1650 Series



Senior Citizen "LifeLine" Support

Elderly and/or critically ill citizens, who depend on an electronic calling or medical alert service such as LifeLine™, also rely on fast response to calls for emergency aid. The Residential KNOX-BOX reduces the potential for forced entry damage and added stress to the patient.



Paramedic and Firefighter Safety

When emergency responders cannot unlock the front door, they search for an alternate means of entry. Sometimes it is difficult to determine which rear window or door to try before forcing entry. If they accidentally enter the wrong apartment, serious injury can result from the surprised occupant.



Gated Communities Access

Quickly getting through the gate and to the resident that called for help is often difficult. With the Knox System, the gate can be opened with a Knox Key Switch and the person in need can be reached by unlocking the front door with an entrance key safely stored in their Residential KNOX-BOX.



Residential Model Now Available in Recessed Mount with Tamper Switch

The optional tamper switch allows you to connect the KNOX-BOX to your home's alarm system for added security. The Recessed Mount model is also available in three colors to complement your home's architecture.



Optional Interior Tamper Switch



About the Knox Company

Since 1975, Knox has been manufacturing high security key boxes, key vaults, armored cabinets, key switches, padlocks, master key retention devices and locking FDC plugs and caps. This proven rapid entry system reduces response time, property damages and the liability for lost keys. More than 10,000 responding agencies and the communities they serve depend on Knox products and services.

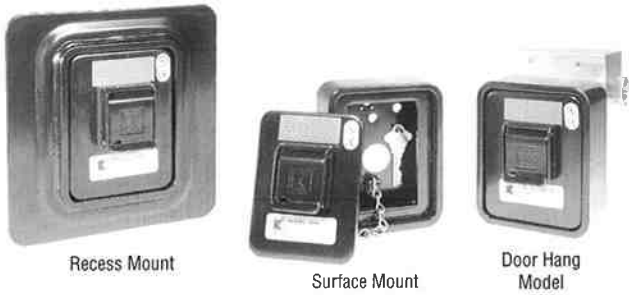
For ordering information, please call your fire department or visit www.knoxbox.com.



1650 Recessed Mount



High Security Residential Key Box



The 1650 Series KNOX-BOX® key box was developed to secure residential entrance keys. Knox Residential is used for fire, police and medical emergency entry in gated communities, single family residences and apartment complexes. The residential key box is also available with a door-hanging bracket for emergency medical access during temporary convalescence.

Features and Benefits

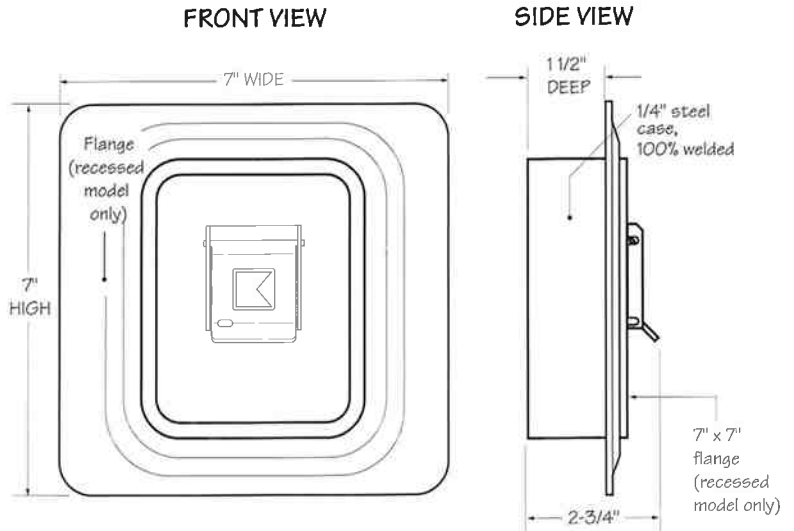
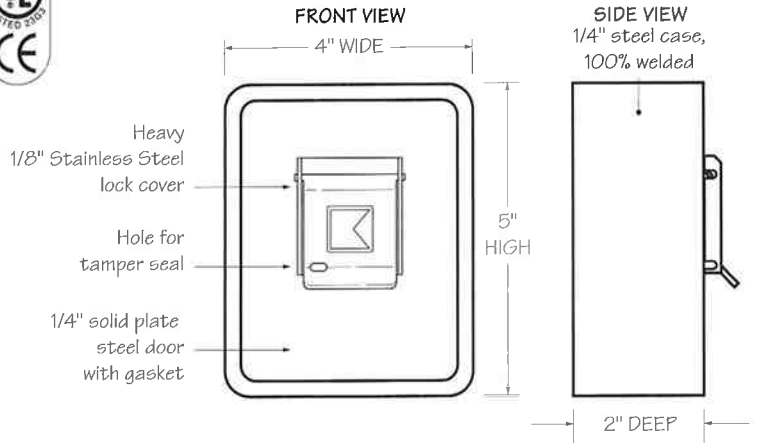
- Holds up to 2 keys in interior compartment
- Ensures high security with UL Listed Medeco lock
- Includes a Knox-Coat® proprietary finishing process that protects Knox products up to four times better than standard powder coat
- Resists moist conditions with a weather resistant door gasket
- Colors: Black, Dark Bronze, Aluminum
- Weight: 7 lbs.

Options

- Alarm Tamper Switch (UL Listed)
- Door bracket for hanging over 1-7/8" door for temporary applications
- Recessed Mounting Kit

Attention: KNOX-BOX® key box is a very strong security device that MUST be mounted properly to ensure maximum security and ability to resist physical attack.

Knox® Rapid Entry System
The Knox Company manufactures a complete line of high security products including Knox-Box key boxes, key vaults, cabinets, key switches, padlocks, locking FDC caps, plugs and electronic master key security systems. For more information or technical assistance, please call Customer Service at 1-800-552-5669.



Note: For commercial applications, see 3200 Series Knox-Box® or 4400 Series Knox-Vault®.

Ordering Specifications

To insure procurement and delivery of the 1650 Series KNOX-BOX lift-off door model, it is suggested that the following specification paragraph be used:

KNOX-BOX surface or door mount. 1/4" plate steel housing, 1/4" thick steel door with interior gasket seal. Box and lock UL® Listed. Lock has 1/8" stainless steel dust cover with tamper seal mounting capability.

Exterior Dimensions: Surface mount - 5"H x 4"W x 2-3/4"D

Door hanger - 5"H x 4"W x 2-3/4"D

Recessed - 7" x 7" (flange)

Lock: UL Listed. Double-action rotating tumblers and hardened steel pins accessed by a biased cut key.

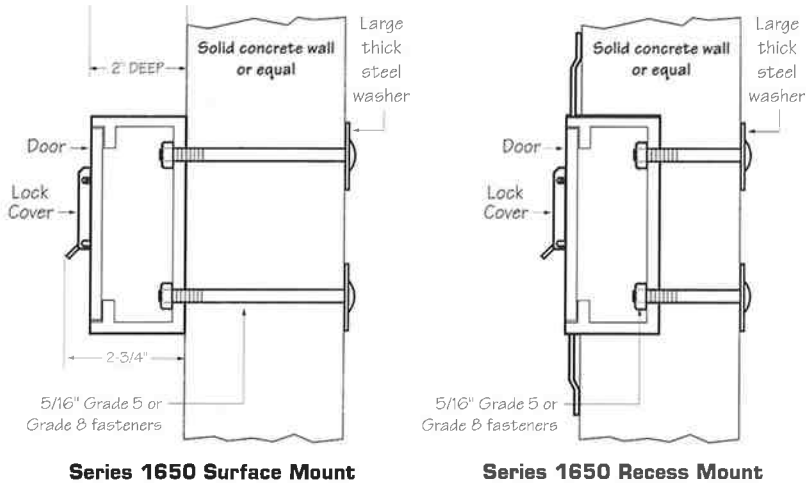
Finish: Knox-Coat® proprietary finishing process

Colors: Black, Dark Bronze, Aluminum

P/N: 1650 Series KNOX-BOX (mfr's cat. ID)

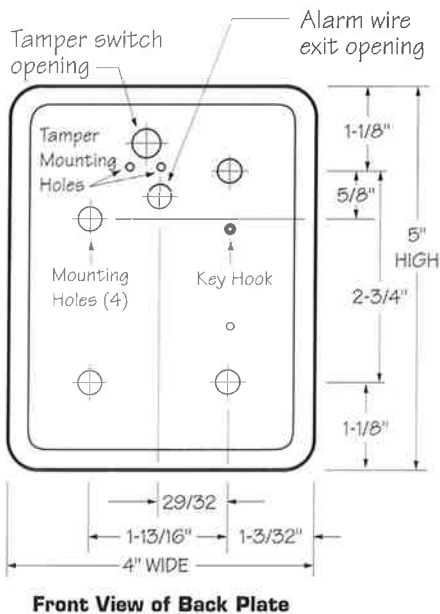
Mfr's Name: **KNOX COMPANY**

**Suggested minimum mounting height
6 feet above ground**



Series 1650 Surface Mount

Series 1650 Recess Mount



Front View of Back Plate

Attention: KNOX-BOX® key box is a very strong security device that MUST be mounted properly to ensure maximum security and ability to resist physical attack.

Knox® Rapid Entry System

The Knox Company manufactures a complete line of high security products including Knox-Box key boxes, key vaults, cabinets, key switches, padlocks, locking FDC caps, plugs and electronic master key security systems. For more information or technical assistance, please call Customer Service at 1-800-552-5669.

Recessed Mounting Kit

The 1650 Recessed Mounting Kit (RMK) is used for recessed models only. It contains a shell housing and mounting hardware to be cast-in-place in new concrete or masonry construction. After construction is completed, the KNOX-BOX mounts inside the RMK. The RMK may only be used in new concrete or masonry construction.

Installation In Cast Concrete

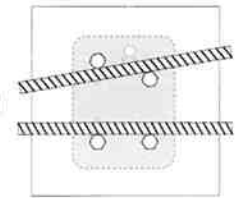
The optional Recessed Mounting Kit is for use in new concrete or masonry construction only. The kit includes a shell housing and mounting hardware to be cast-in-place. The KNOX-BOX is mounted into the shell housing after construction is completed.

Dimensions

Rough-in Dimensions: 6-1/2"H x 6-1/2"W x 5"D

IMPORTANT: Care should be taken to insure that the front of the RMK shell housing, including the cover plate and screw heads, is flush with the finish wall. The RMK must be plumbed to insure vertical alignment of the vault.

REAR VIEW showing orientation of RMK to Lift-Off Residential Knox-Box Backplate



Recessed Mounting Using Recessed Mounting Kit (RMK)

